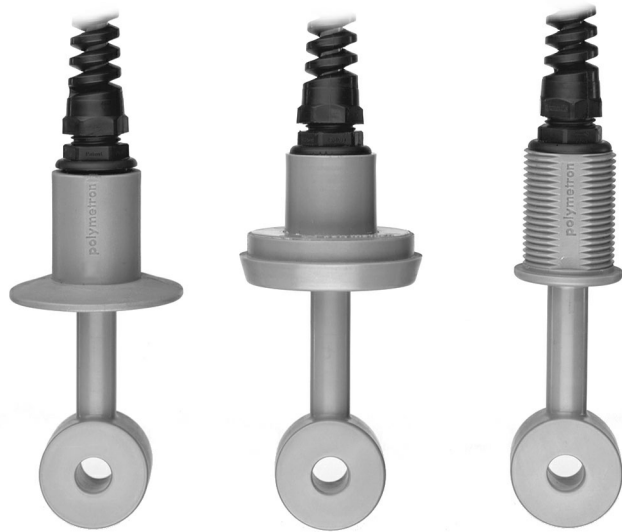


# Inductive Conductivity probes Model 8398



## Applications

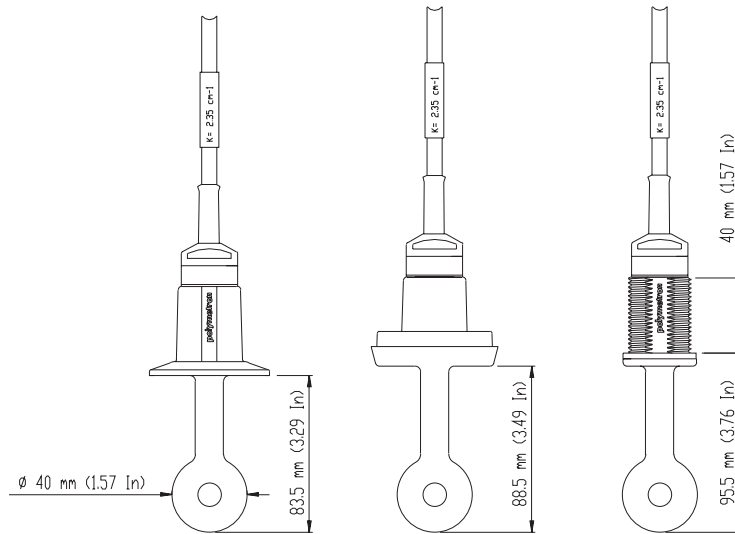
Corrosive and fouling applications: conductivity, concentration measurements

- Accurate interface control for the "clean in place" processes in food and pharmaceutical industries
- Determination of solution concentrations for "clean in place" processes, resin regeneration in water treatment plants, caustic metal cleaning processes.
- Waste water stream control in municipal waste water treatment plants and many other industries

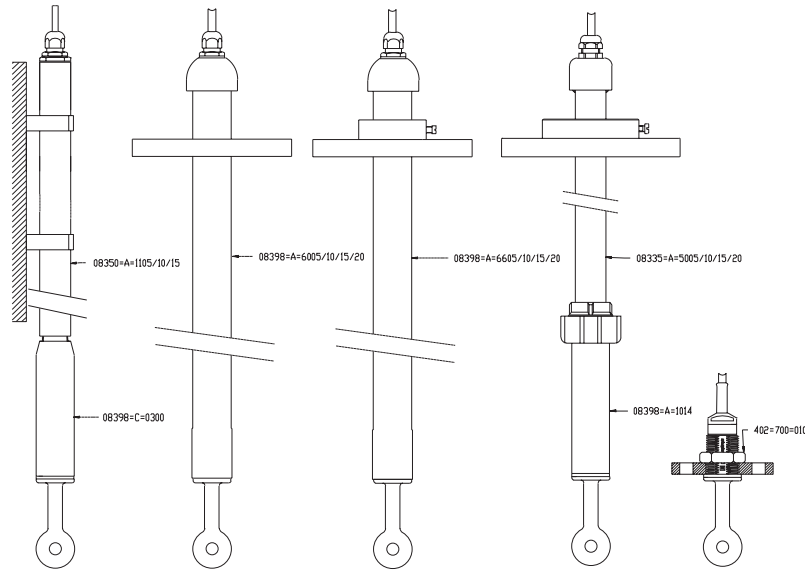
## Features

- High chemical and mechanical resistance
- Accuracy over a wide measuring range
- Perfect compact sanitary design for 2"/DN50 access port in compliance with 3A standards
- Maintenance free: No electrode damage, no polarisation effect
- Versatile mounting options: flow-through adapters and chambers, immersion shafts.

## 8398 probes



## Immersion application (08398=A=5000)



Immersion shafts available

Part Number	Material	length	Specifications	PVC flange type	Adaptor needed
08335=A=5005	PP	0.5m	DN65	Adjustable	08398=A=1014
08335=A=5010	PP	1m	DN65	Adjustable	08398=A=1014
08335=A=5015	PP	1.5m	DN65	Adjustable	08398=A=1014
08335=A=5020	PP	2m	DN65	Adjustable	08398=A=1014
08398=A=6005	PP	0.5m	DN50	Fixed	none
08398=A=6010	PP	1m	DN50	Fixed	none
08398=A=6015	PP	1.5m	DN50	Fixed	none
08398=A=6020	PP	2m	DN50	Fixed	none
08350=A=1105	PP	0.5m	DN32	Clips	08398=C=0300
08350=A=1110	PP	1m	DN32	Clips	08398=C=0300
08350=A=1115	PP	1.5m	DN32	Clips	08398=C=0300
08398=A=6605	PP	0.5m	DN50	Adjustable	None
08398=A=6610	PP	1m	DN50	Adjustable	None
08398=A=6615	PP	1.5m	DN50	Adjustable	None
08398=A=6620	PP	2m	DN50	Adjustable	None
08878=A=1500	SS	1.5m	DN32	No	08398=C=0500
08878=C=1500	SS	1.5m	extension	-	-
08878=A=1600	SS	-	Probe holder	-	-

**FOOD INDUSTRIES  
PHARMACEUTICAL INDUSTRIES  
CLAMP VERSION**

Installation  
in any pipe

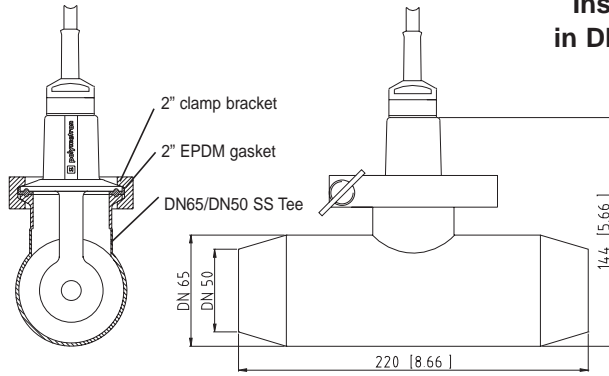
Welding stainless steel ferrule kit  
EPDM gasket clamp  
**08398=A=0510**

**FOOD INDUSTRIES  
OTHER INDUSTRIES  
DIN VERSION**

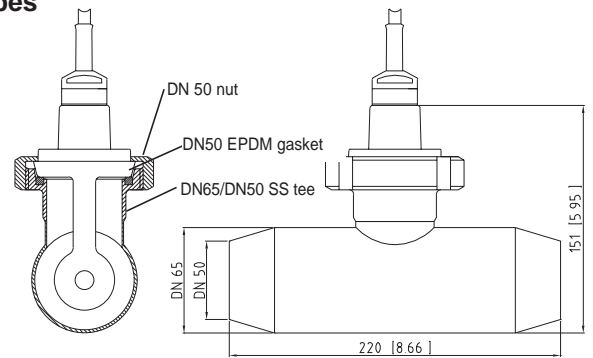
Welding ferrule kit, gasket  
(EPDM or VITON), SS nut and  
**08398=A=0500**  
**08398=A=5310**  
**08398=A=5320**  
**08398=A=5330**

ferrule  
**SS**  
**PVC**  
**PP**  
**PVDF**

Installation  
in DN50 pipes

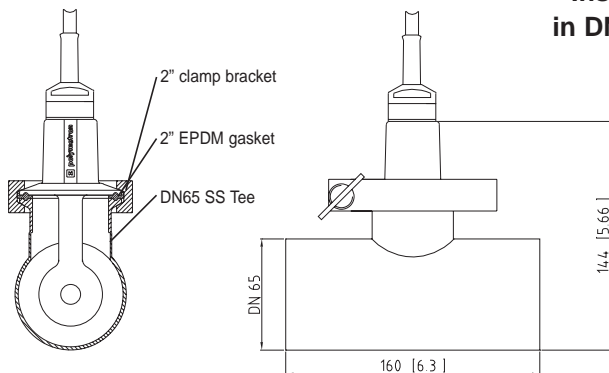


**08398=A=7000**

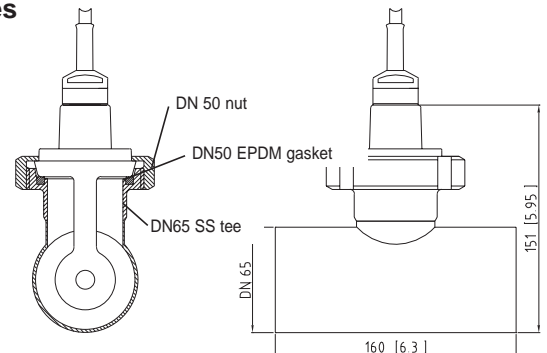


**08398=A=6000**

Installation  
in DN65 pipes

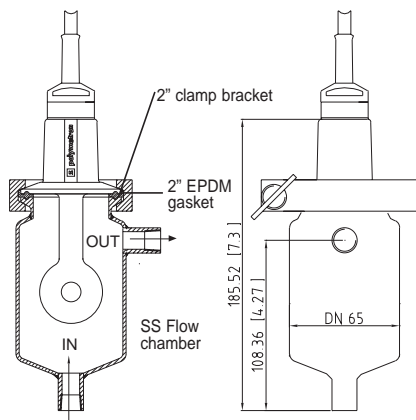


**08398=A=7500**

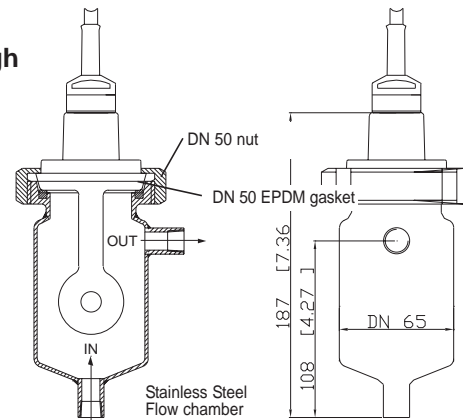


**08398=A=6500**

Installation  
in flow-trough  
chamber



**08398=A=8200**



**08398=A=8300**  
**08398=A=8310\***  
**08398=A=8320\***  
**08398=A=8330\***

**SS**  
**PVC**  
**PP**  
**PVDF**

\*Dimensions not represented

# polymetron

a Hach Ultra Analytics solution

Headquarters:

6, route de Compois

C.P. 212

CH1222 Vérenaz, Geneva

Switzerland

Tel. +41 22 855 91 00

Fax +41 22 855 91 99

salesinfo@hachultra.com



www.hachultra.com

This publication is not intended to form the basis of a contract and the company reserves the right to amend the design and specifications of the instruments without notice.

Distributor
-------------

HUA\_TE8398D.qxd



## Specifications

APPLICATION	FLOW THROUGH		IMMERSION
<b>Model</b> Type	<b>8398.2</b> 2" triclamp	<b>8398.3</b> DN50 (DIN 11851)	<b>8398.5</b> 1"G thread
<b>Probe/cable</b> Material/length Weight	Poly Ether Ether Ketone (PEEK) with 5m of cable 700g		
<b>Sample</b> Temperature Pressure	140°C (284°F) 18 bar		
<b>Analysis</b> Measuring range Repeatability Cell constant Response time In temperature In conductivity	0 to 2000 mS/cm < +/- 2% or +/- 0.004 mS/cm whichever is greater 2.35  < 2 mn @ t90 < 1s @ t90		
<b>Accessories available</b> Connexion type	2" Clamp	DN50 nut	DN20 flange or shafts
Gaskets	2" or DN50 EPDM / VITON gasket		EPDM gasket supplied in standard VITON gasket in option
Installation	316L SS : welding ferrule, Tees (DN65, DN50), Flow-through chamber conforms to 3A standards PVC, PPH, PVDF: welding ferrule, flow-through chamber		Immersion kit : PP, SS Shafts= 0.5 m, 1 m, 1.5 m, 2 m Fixation=clips, adjustable or fixed PVC flanges

VITON® is a registered trademark of E.I. DUPONT DE NEMOURS and Co.

## Chemical compatibility

Chemical compatibility O: yes ; x: no	concentration %	20°C (68°F)	100°C (212°F)
Acetic acid	10	0	0
Ammonium chloride	Sat	0	0
Ammonium hydroxyde	30	0	0
Bromine/dibromoethane		x	x
Bromidric acid		x	x
Boric acid	Sat	0	0
Calcium carbonate	Sat	0	0
Calcium chloride	Sat	0	0
Calcium hydroxyde	Sat	0	0
Chromic acid		x	x
Chlorine liquid		x	x
Chloridric acid	10	0	0
Diphenylsulfone(DPS)		x	x
Ethane		x	x
Ethanol	Sat	0	0
Fluoridric acid		x	x
Formic acid		x	x
Hydrogen peroxide	30	0	0
Lactic acid	Sat	0	0
Magnesium chloride		0	0
Magnesium hydroxide	Sat	0	0
Methanol	Sat	0	0
Nitric acid	< 50 >50	0 x	0 x
Phenol	Dilute concentrated	0 x	0 x
Phosphoric acid	< 80	0	0
Potassium chloride	Sat	0	0
Potassium hydroxide	<70	0	0
Propanol	Sat	0	0
Sodium carbonate	Sat	0	0
Sodium chloride	Sat	0	0
Sodium hydroxyde	<50	0	0
Sodium hypochlorite	50	0	0
Sulfuric acid	< 40 > 40	0/x x	0/xx x
Zinc chloride	50	0	0