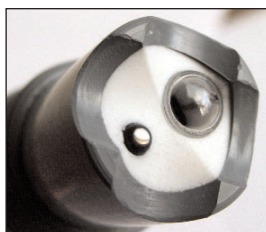


pH/redox combination probes Models 8350/8351

For immersion and flow-through installation



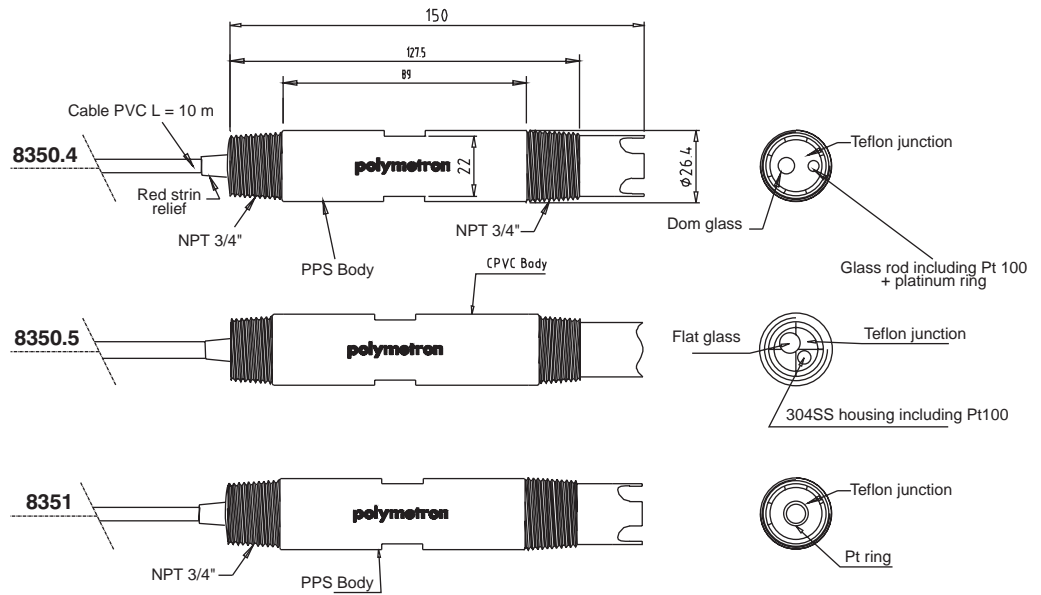
Applications

- For all measurements in drinking, waste and industrial process water
- Treatment of effluents, cooling towers
- Measurements of corrosive chemical products

Features

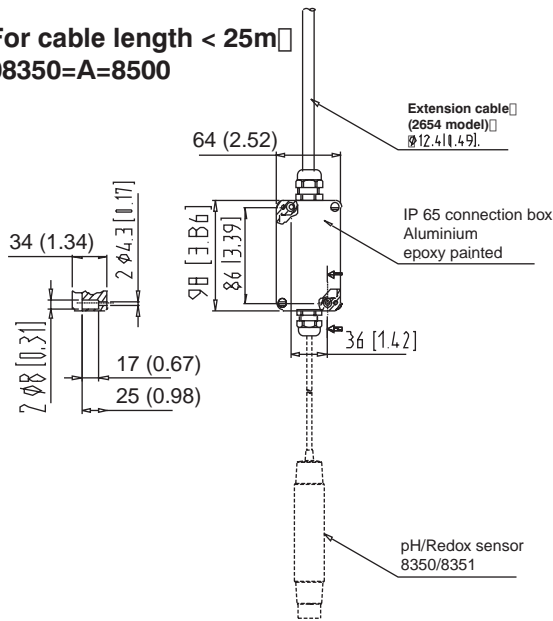
- Wide measuring range: 0 to 14 pH, ± 1500 mV redox
- Quick response time for accurate temperature compensation (built-in Pt100)
- Optimised life-expectancy : high resistance to poisoning due to the double junction
- Chemical resistance of body and junction materials, glass bulb protection against shocks
- Maintenance free : Combination gelified electrode
- Auto-diagnostic of electrodes : glass and reference impedances self-checking
- Possible installation from all positions, horizontal and inverted
- Built-in low noise cable (10 m/33 ft)

Probes

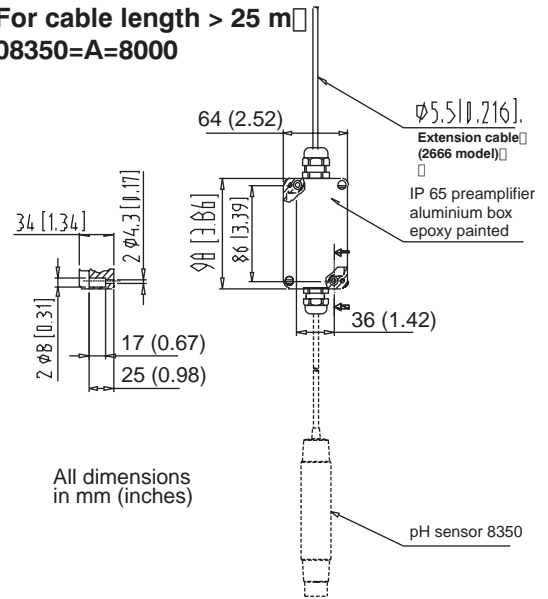


Junction box

For cable length < 25m
08350=A=8500



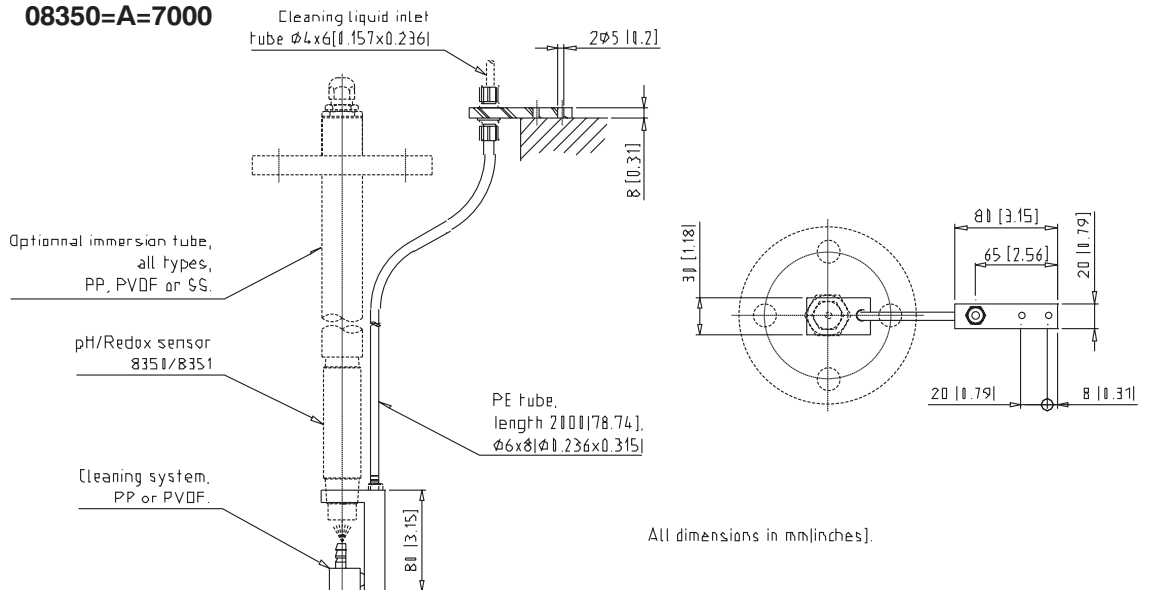
For cable length > 25 m
08350=A=8000



All dimensions in mm (inches)

Cleaning system

08350=A=7000

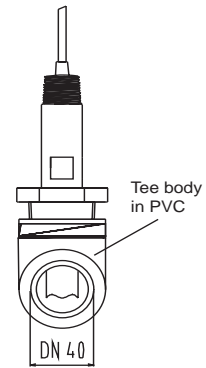
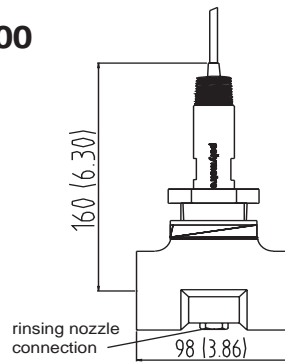


All dimensions in mm (inches).

Mounting accessories

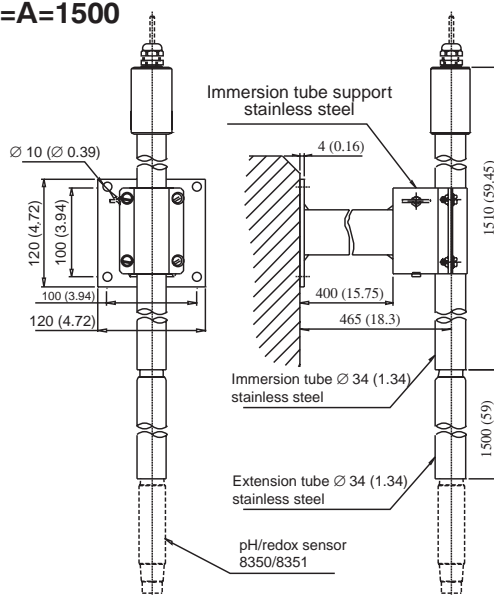
Tee

08350=A=9500



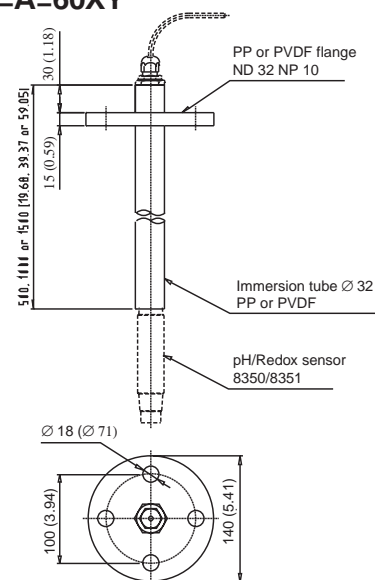
Immersion shafts

08878=A=1500



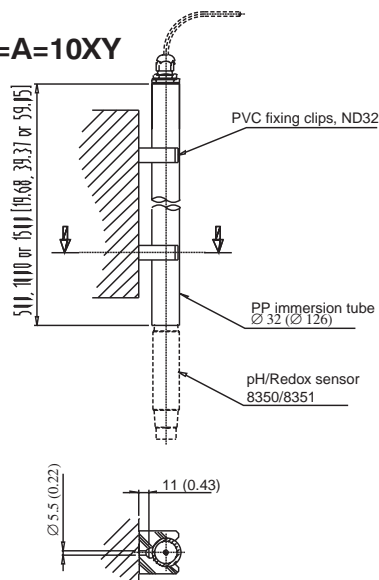
Optionnal stainless steel immersion tube, extension tube, support

08350=A=60XY



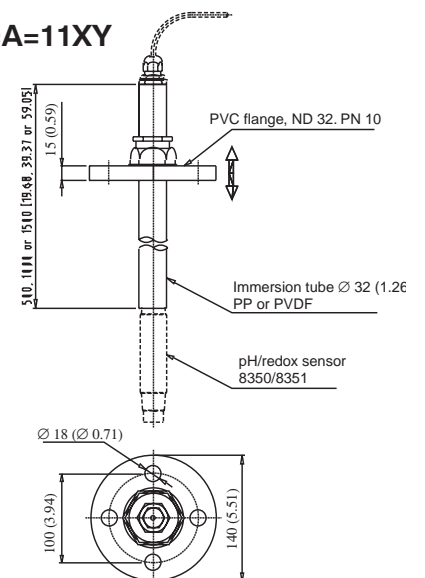
Optionnal immersion tube, fixed flange

08350=A=10XY



Optionnal immersion tube, wall mounting

08350=A=11XY



Optionnal immersion tube, loose flange

Headquarters:
6, route de Compois
C.P. 212
CH1222 Vérenaz, Geneva
Switzerland

Tel. +41 22 855 91 00
Fax +41 22 855 91 99
salesinfo@hachultra.com

This publication is not intended to form the basis of a contract and the company reserves the right to amend the design and specifications of the instruments without notice.

Distributor

HUA_TE8350revE.qxd

Specifications

Models	8350.4	8350.5	8351	8350.3
Part numbers	08350=C=0004	08350=C=0005	08351=C=0000	08350=A=0003
Applications:	pH, high temperature, corrosive samples	pH, fouling samples, no organic solvents	Redox measurements	pH in HF sample
Probe material	Flat PTFE junction, guarded glass Platinum ring for impedance measurements PPS body	Flat PTFE junction, Guarded glass, Stainless steel ring for impedance measurements, CPVC body	Flat PTFE junction, guarded platinum ring PPS body	Flat PTFE junction, guarded glass, PPS body
Measuring range Accuracy	0-14 pH, +/-0.05pH	0-12 pH, +/-0.05pH	± 1500 mV, +/-1.5 mV	0-12pH, +/- 0.05pH
Temperature max	110 °C (230°F)	80 °C (230°F)	110 °C (230°F)	110°C (230°F)
Pressure max	10 bar (145 psi) @80°C	10 bar (psi) @25°C	10 bar (psi)@80°C	10 bar
Impedance	Glass 150 - 500 Mohms	Glass 50 -250 Mohms	-	100 -150 Mohms
Self-checking	Ref < 50 kohms	Ref < 50 kohms	Ref < 50 kohms	Ref < 50 kohms
10m low noise built in cable	Junction box for cable length < 25m Pre-amplifier for cable length >25m	Junction box for cable length < 25m Pre-amplifier for cable length >25m	Junction box	Junction box for cable length < 25m Pre-amplifier cable length >25m
Installation	¾" NPT, vertical, horizontal, upside down, inline or immersion	¾" NPT, vertical, horizontal, upside down, inline or immersion	¾" NPT, vertical, horizontal, upside down, inline or immersion	¾" NPT, vertical, horizontal, upside down, inline or immersion

Main accessories

08350=A=10XY	PP tube and 2 fitting clips :0.5m [20in](XY=05) ;1m [40in](XY=10) ; 1.5 m [60in](XY=15)
08350=A=11XY	PP tube and loose PVC flange NP10 ND32 : 0.5m [20in](XY=05) ;1m [40in](XY=10); 1.5 m [60in](XY=15)
08350=A=60XY	PP tube and fixed flange NP 10 ND 32 0.5m [20in](XY=05) ;1m [40in](XY=10); 1.5 m [60in](XY=15)
08350=A=9500	PVC tee NP 10 ND 40, rinsing nozzle connection (1/8")
08350=A=9510	Kit with 2-hose (1" NPT) connections in PVC
370=506=025	Low impedance cable (2666 model)
358048,00000	Coaxial cable for high impedance measurements (2654 model)
08350=A=4000	Retention cap
08350=A=7000	PP nozzle and tubing for 8544 air/water or chemical cleaning
08350=A=8000	Enclosure with built-in preamplifier
08350=A=8500	Junction box for 8350/8351
08878=A=1500	Stainless steel 1.5 immersion probe
08878=A=1500	Stainless steel 1.5 probe extension
08878=C=1600	Immersion probe holder