

pH/ORP immersion probe Model 8344



data sheet

Features

- Heavy-duty industrial probe for use in difficult applications
- The probe may be equipped with various combinations of electrodes (i.e.: glass electrodes, reference electrodes, temperature sensors, combination electrodes, ORP electrodes and liquid earth rods)
- The electrolyte reservoir is integrated with the probe
- The electrolyte reservoir may be pressurized with instrument air or with a simple hand pump
- A chemical or mechanical electrode-cleaning system can be added
- The probe is available for different immersion depths.

Product list

Immersion Probe 8344. – TP with Integrated Preamplifier

Immersion Depth	Model	Item No.	Drawing No.
500 mm	8344.1TP	363 387,20510	1
1000 mm	8344.2TP	363 387,21010	1
1500 mm	8344.3TP	363 387,21510	1

Immersion Probe 8344. – T with Integrated High-Impedance Junction Box

Immersion Depth	Model	Item No.	Drawing No.
500 mm	8344.1T	363 387,20500	1
1000 mm	8344.2T	363 387,21000	1
1500 mm	8344.3T	363 387,21500	1

Pressurizing the Electrolyte Reservoir (to be specified)

With Instrument Air

Item	Model	Item No.	Drawing No.
Quick-connection plug	–	599 990,05704	2
Quick-connection jack	–	599 990,05604	2

With Hand Pump

Item	Model	Item No.	Drawing No.
Quick-connection plug	–	599 990,05704	3
Pressure adaptor with gauge	8538.1	359 026,10000	3

Electrode Cleaning System (to be specified)

Mechanical Cleaning (See also datasheet 8544)

Item	Model	Item No.	Drawing No.
Cleaning unit, including 2 polypropylene brushes	8540.4	363 356,00100	4
Cleaning unit, including silicon membrane	8540.5	363 356,00200	5
Control unit	8540.0	363 356,50000	11

Chemical Cleaning (See also datasheet 8544)

Item	Model	Item No.	Drawing No.
PVDF nozzle	8543.5	363 381,50000	6
Hose pump:			
220 V	8544.4	08544 = A = 0004	10
110 V	8544.5	08544 = A = 0005	10
24 V	8544.6	08544 = A = 0006	10

Electrodes

Note: Capacity for 4 pieces maximum, including cleaning systems.

Glass Electrodes

Item	Model	Item No.	Drawing No.
Glass electrode for mechanical cleaning	8400-B	368 400,00000	–
Glass electrode with low-impedance membrane	8402-B	368 402,00000	–
Standard glass electrode	8404-B	368 404,00000	–

Grounding

Item	Model	Item No.	Drawing No.
Grounding rod, 316 SS	8496	363 629,84960	–

ORP Electrode

Item	Model	Item No.	Drawing No.
Platinum electrode	8430-B	368 430,00000	–

Reference Electrode, Electrolyte Bridge

Item	Model	Item No.	Drawing No.
Standard reference electrode	8444-B	368 444,00000	–
Xerolyt reference electrode with solid electrolyte	8483-B	368 483,00000	–
Electrolyte bridge	8429.1	363 629,84291	7
Reference electrode for electrolyte bridge	8429-B	368 429,00000	8
High-impedance glass electrode for electrolyte bridge	8409-B	368 409,00000	9
Preamplifier	8663.1	368 663,10000	8
High-impedance junction box	8539	363 700,85390	9

Temperature Sensor

Item	Model	Item No.	Drawing No.
Pt100 temperature sensor	8495-K	368 495,00000	–

■ Standard accessories

- 1 Instruction manual in German, French or English (please specify).
- Reference electrolyte KCl, 500 ml bottle.

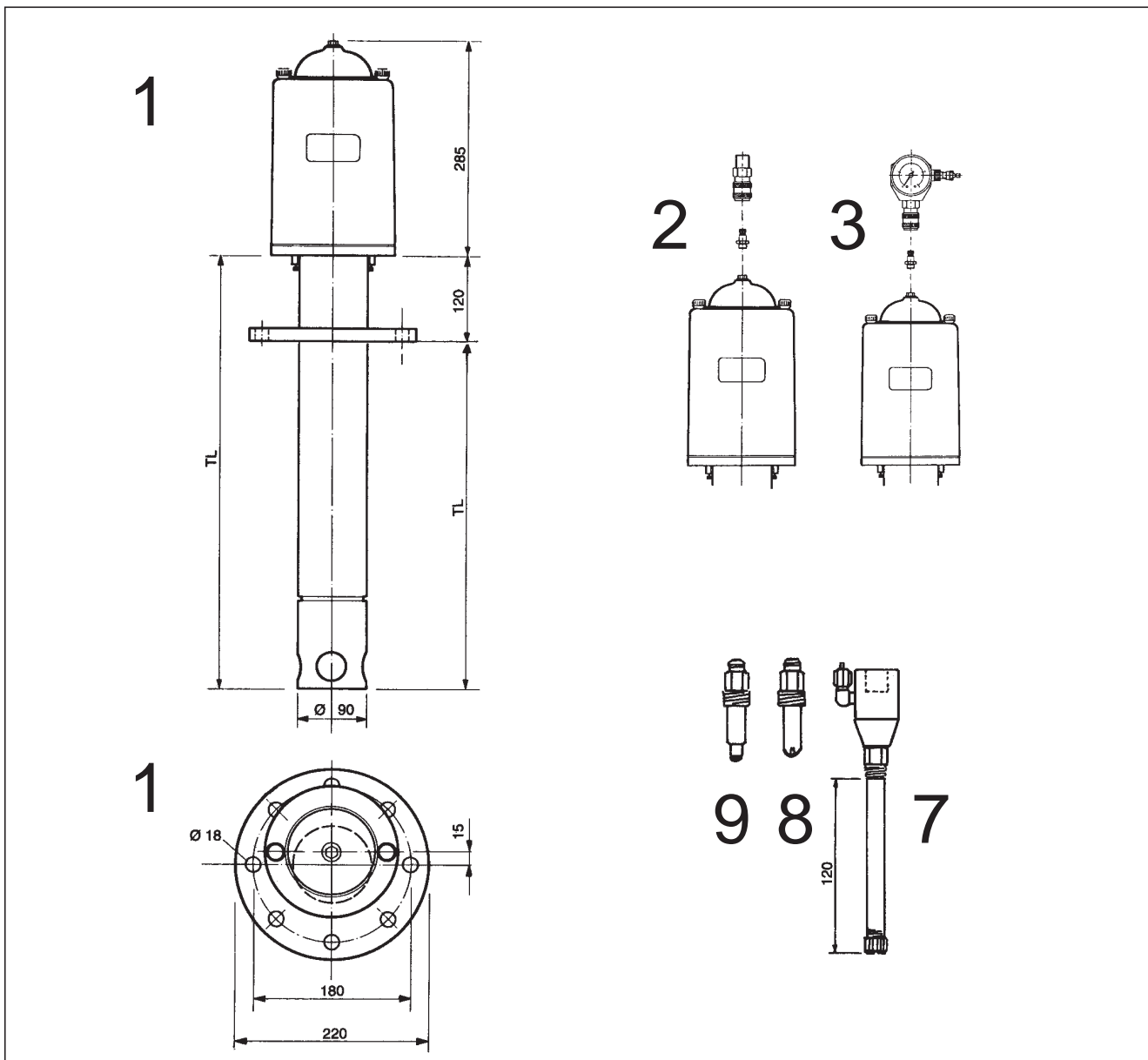
■ Accessories

Item	Model	Item No.
Cable, shielded, 6 conductors, to connect the probe with transmitters 8930/9135	2666	370=506=025
Cable, shielded, coaxial, with 4 additional conductors for transmitter 9135	2654	358 048,00000
Buffer solution pH 4.00, 500 ml		363 130,00500
Buffer solution pH 6.88, 500 ml		363 131,00500
Buffer solution pH 9.22, 500 ml		363 132,00500
Reference electrolyte KCl, 500 ml		363 140,00500

■ Spares

Item	Model	Item No.
Set of seals, consisting of: 2 washers/4 O-rings/2 blank plugs/ 1 O-ring for electrode support	-	363 700,83441
Diaphragm assembly for 8429.1 consisting of: 3 diaphragms/3 hex nuts/6 seals	-	363 700,74106
Cleaning brush for 8540.4 (mechanical cleaning)	-	359 004,50080
Membrane for 8540.5 (mechanical cleaning)	-	359 004,10450

Dimensions in mm



polymetron

a Hach Ultra Analytics solution

Headquarters:

6, route de Compois
C.P. 212
CH1222 Vérenaz, Geneva
Switzerland

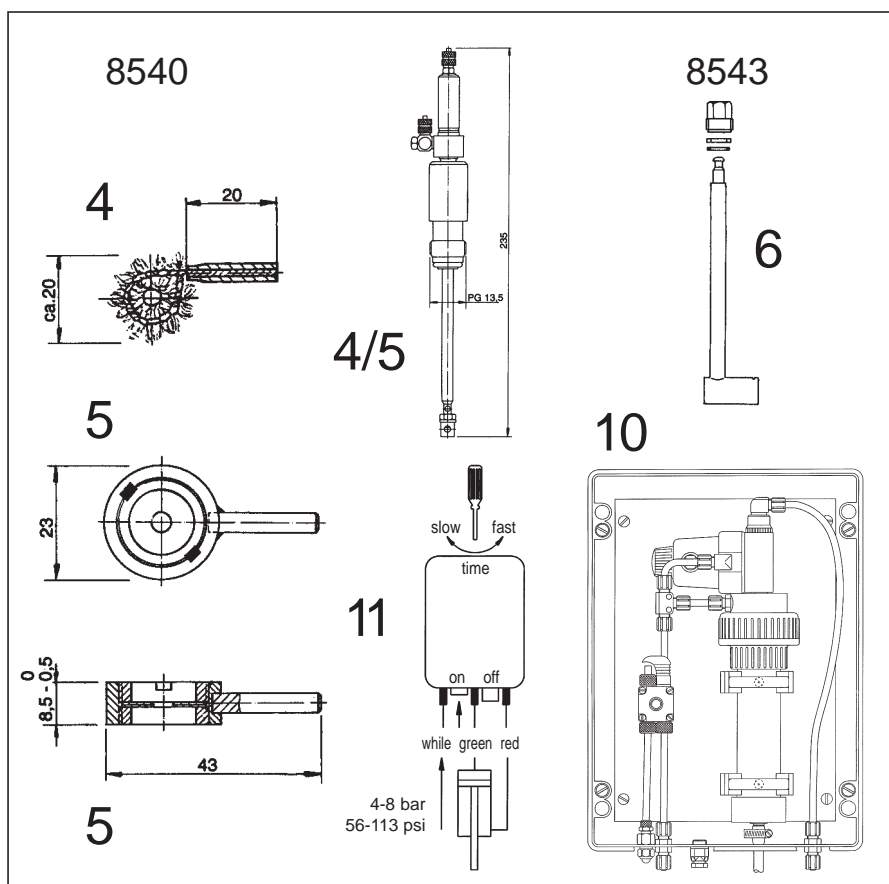
Tel. +41 22 855 91 00
Fax +41 22 855 91 99
salesinfo@hachultra.com


www.hachultra.com

This publication is not intended to form the basis of a contract and the company reserves the right to amend the design and specifications of the instruments without notice.

Distributor

HUA_TE8344revD.qxd



Specifications

- Sample temperature: -10 to $+80^{\circ}\text{C}$ (14 to 176°F)
- Ambient temperature: -10 to $+55^{\circ}\text{C}$ (14 to 131°F)
- Volume of the reference electrolyte reservoir: 0.5 l
- Permissible pressure for electrolyte reservoir: 5 bar max (72 psi).
- Immersion depths: 500 (1.6 ft), 1000 (3.2 ft) and 1500 mm (4.9 ft) (from flange to lower of probe)
- Number of electrodes: 4 max.
- Electrode installation: PG 13.5 thread

Materials :

- Probe body: Polypropylene
 - Electrolyte reservoir: Polyamide
 - Protective hood: PMMA, blue (polymethylmetacrylate)
 - Electrode tubing: Polyurethane
 - Electrolyte-tubing nipples: Polyacetal
 - Electrode seals: Viton® O'Ring
 - Electrode holder gasket: Neoprene.
- Viton® is a registered trademark of E. I. Dupont de Nemours and Co.